

## V118 Series Food Type Welded Butterfly Valves

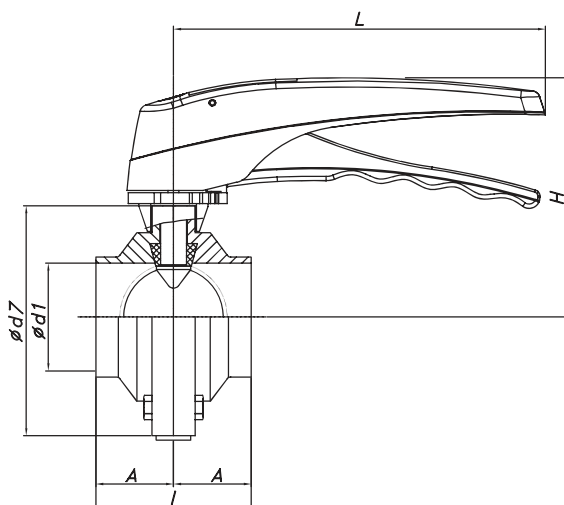
Available sizes	DN 10 - DN 200	DN ½" - DN 8"
Max. working temperature	-10 °C to +120 °C (EPDM) +140 °C (SIP, max. 30 min)	14 °F to 248 °F 284 °F
Min. working pressure	0,2 bar (P.abs)	3 PSI (P.abs)
Max. working pressure	10 bar (DN 10 - DN 100) <sup>(1)</sup> 8 bar (DN 125 - DN 150) <sup>(2)</sup> 5 bar (DN 200) <sup>(2)</sup>	145 PSI (DN ½" - DN 4") <sup>(1)</sup> 116 PSI (DN 5" - DN 6") <sup>(2)</sup> 72,5 PSI (DN 8") <sup>(2)</sup>

Note (1): Classified according to Directive 97/23/CE as Category I valves for use with fluids of Group 1

Note (2): Classified according to Directive 97/23/CE as Category I valves for use with fluids of Group 2



Pneumatic Actuator Operated  
Butterfly Valve



Electric Actuator Operated  
Butterfly Valve

DN	Ø d1	Ø d7	A	I	H	L	
10	10	62	20	40	90	115	
15	16	62	20	40	90		
20	20	72	20	40	95		
25	26	87	20	40	102		
32	32	92	21	42	105	170	
40	38	97	25	50	107		
50	50	110	25	50	115		
65	66	127	25	50	125		
80	81	142	30	60	130		
100	100	162	30	60	150		
125*	125	190	55	110	147		270
150*	150	240	66	132	180		300
200*	200	284	75	150	205	325	

DN	Ø d1	Ø d7	A	I	H	L	
½"	9,4	62	20	40	90	115	
¾"	15,8	62	20	40	90		
1"	22,1	87	20	40	102		
1 ½"	34,9	97	25	50	107	170	
2"	47,6	110	25	50	115		
2 ½"	60,3	118	25	50	125		
3"	72,9	131	25	50	130		
4"	97,4	162	30	60	150		
6" *	146,8	240	66	132	180		300
8" *	197,6	284	75	150	205		325

\* With two-position handle only

DN	10 ½"	15 ¾"	20	25 1"	32	40 1 ½"	50 2"	2 ½"	65	3"	80	100 4"	125	150 6"	200 8"
OPERATING TORQUE (N·m)	6	6	6	8	9	10	14	15	18	18	20	25	55	70	90

Test pressure 10 kg/cm<sup>2</sup>