

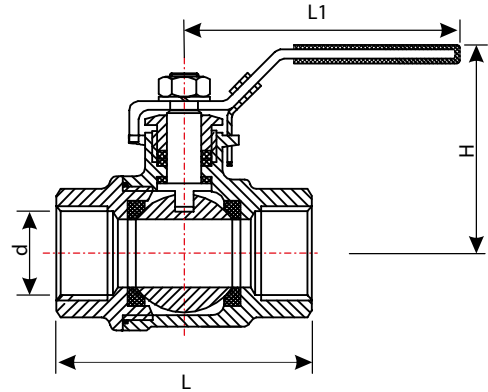
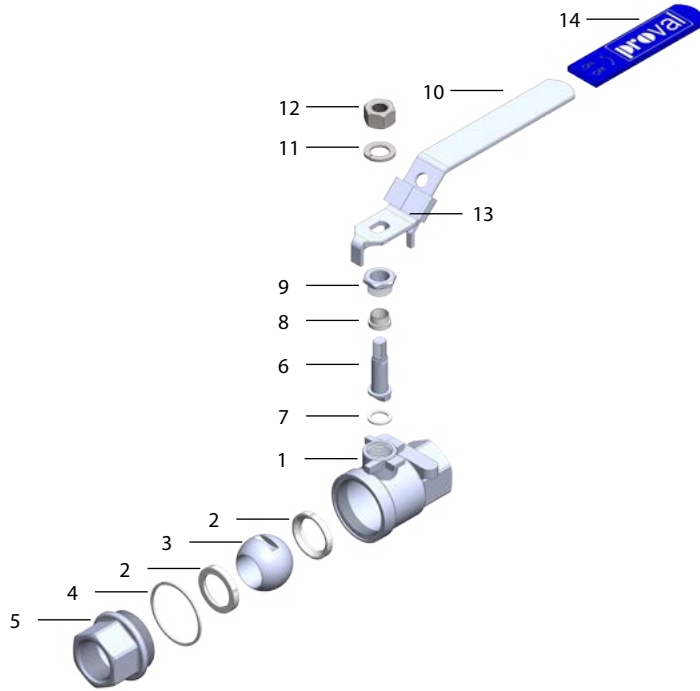


V201 Series 2-Piece Threaded Ball Valves

Available in sizes from DN8 to DN100 with BSP threaded end connections. Face to Face Dimensions are according to DIN3202-M3 and PN63 working pressure. Ideally suited to be used as a manual isolation valve in a wide range of process applications involving liquids, gases and steam.



DIN
DIN3202-M3
Face to Face



Material List

No	Part Name	Material	Qty	No	Part Name	Material	Qty	No	Part Name	Material	Qty
1	Body	AISI316	1	6	Stem	AISI316	1	11	Spring Washer	AISI304	1
2	Ball Seat	PTFE	2	7	Thrust Washer	PTFE	1	12	Handle Nut	AISI304	1
3	Ball	AISI316	1	8	V-Ring	PTFE	1	13	Locking Plate	AISI304	1
4	Body Seat	PTFE	1	9	Gland Nut	AISI304	1	14	Handle Sleeve	Vinyl	1
5	Cap	CF8M	1	10	Hand Lever	AISI304	1				

Dimensions(mm)

Size (DN)	d	L	H	L1	Kv (m ³ /h)	Net Unit Weight (kg)
1/4"	6	50	50	100	6	0,22
3/8"	10	60	50	100	16	0,30
1/2"	15	75	52	100	35	0,34
3/4"	20	80	57	115	46	0,52
1"	25	90	78	150	72	0,78
1-1/4"	32	110	88	150	105	1,23
1-1/2"	40	120	95	180	170	2,00
2"	50	140	100	180	275	2,98
2-1/2"	65	185	120	254	507	6,05
3"	80	205	130	254	905	9,90
4"	100	240	160	285	1414	16,60

Pressure-Temperature Diagram

