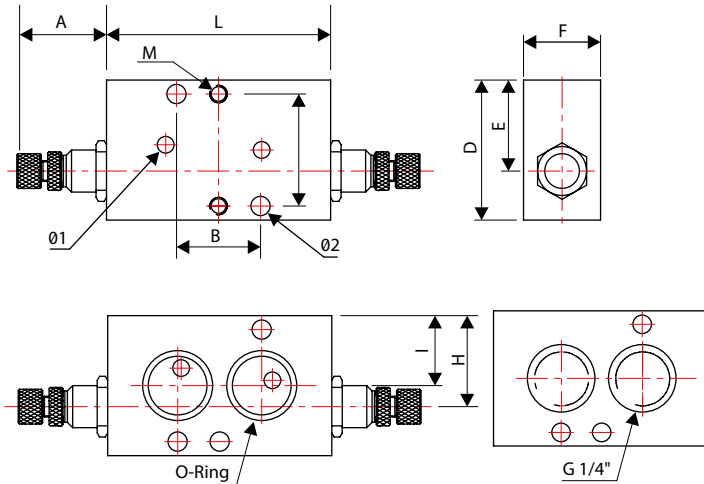




## A170 Actuator Speed Control Valves

A170 Series Namur speed-reducing valves are intended to be installed between solenoid valve and pneumatic actuators for precise throttling of exhaust and supply air to prevent water hammer and hydraulic shocks from occurring. Regulation of air flow is achieved by turning the easy-access, knurled screws that are located on both sides independently of each other.

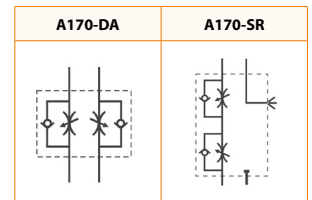


G1/4" Adaptor Plate for non NAMUR applications of Speed Reducer Valves

### Technical Specifications

Max Air Flow	1400 L/Min @ 5 bar
Working Pressure	1,5 to 10 bar
Temperature	-20 °C to +60 °C

### Working Principle

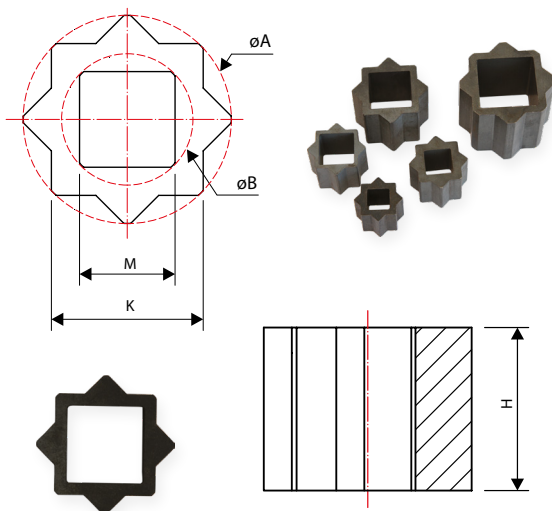


### Dimensions(mm)

Type	A Min	A Max	B	L	D	E	F	H	I	M	Ø1	Ø2
A170-DA	25	32	24	64	40	20	20	20	20	M5X6	4,4	5,5
A170-SR	23	32	23	64	40	26	20	26	20	M5X6	4,4	5,5

## A148 Square Reducers

Reduction adapters made of sintered steel are available in a wide variety of sizes to adapt the internal square of the actuator to the external square of the coupling or the valves.



### Dimensions(mm)

Type	K	-0,03 -0,05	øA	-0,1 -0,2	M	+0,14 +0,06	øB	H
11M9	11		15		9		12	12
14M9	14		19		9		12	16
14M11	14		19		11		14,8	16
17M11	17		23		11		14,8	19
17M14	17		23		14		19	19
19M14	19		26		14		19	21
19M17	19		26		17		23	21
22M14	22		30		14		19	24
22M17	22		30		17		23	24
22M19	22		30		19		26	24
27M17	27		37		17		23	29
27M19	27		37		19		26	29
27M22	27		37		22		30,3	29
36M19	36		49		19		26	38
36M22	36		49		22		30,3	38
36M27	36		49		27		37,3	38
46M36	46		60		36		60	48