



A240X-IA Intrinsically Safe NAMUR Type 3/2 - 5/2 Convertible Solenoid Valves

Proval A240X type 3/2 way and 5/2 way solenoid valves with namur interface configuration are interchangeable for use on either double and single acting pneumatic actuators in potentially explosive environments.



Intrinsically Safe Coil, Ex ia IIB T6

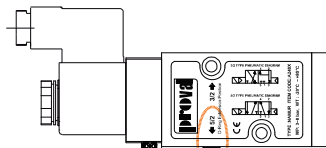
Technical Specifications,

Item Code	A240X-BIA
Power Supply	24 VDC
ATEX Certificates	Ex ia IIB T6 Ga
ATEX Group	Group II
Category	2 G/D
Zone	Zone 1,2 / 21,22
Explosion Group	IIC
Heat Class	T6
Air Supply	G 1/4"
Working Pressure	3 - 8 bar
Flow Capacity	720 Lt/min

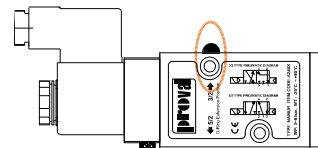
General Features,

- * Direct mounting on NAMUR interface actuators
- * Easy convertible between 3/2 and 5/2 way (DA or SR) by replacing the o-ring position
- * Lockable manual operator

Selection of Function,



5/2 Way Function Solenoid Valve for Double Acting Actuators

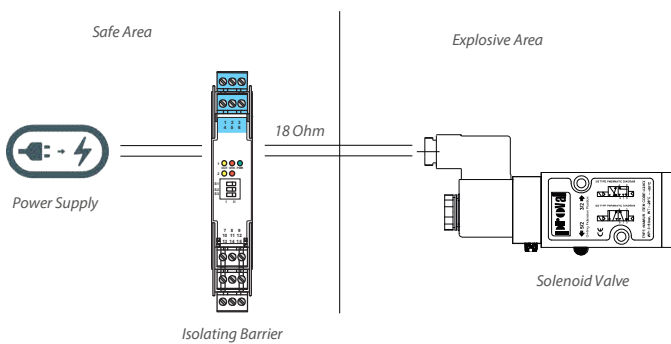


3/2 Way Function Solenoid Valve for Single Acting Actuators

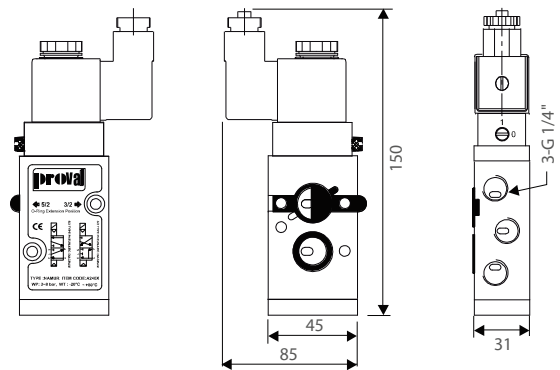


A240PBXBIA

Power Supply of Intrinsically Safe Solenoid Valves,



Dimensions (mm)



Connection to a certified intrinsically safe circuit of type of protection:

- Ex ia IIC with maximum values $U_i = 28\text{ V}$ $I_i = 115\text{ mA}$
- Ex ia IIB with maximum values $U_i = 32\text{ V}$ $I_i = 195\text{ mA}$

The effective inductance and capacitance of the solenoid is negligible low ($L_i \approx 0$, $C_i \approx 0$).

Circuit Diagram

