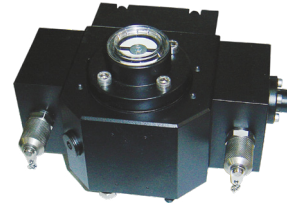




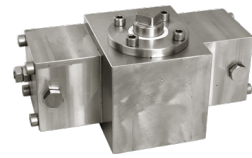
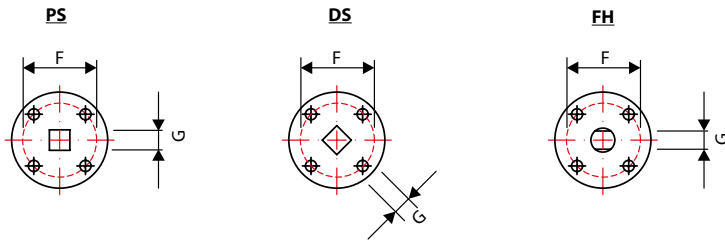
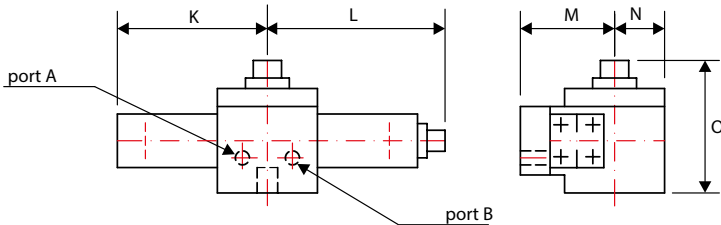
## A300 Double Acting Hydraulic Actuators

Proval hydraulic actuators are used in rotary valves especially in marine applications.

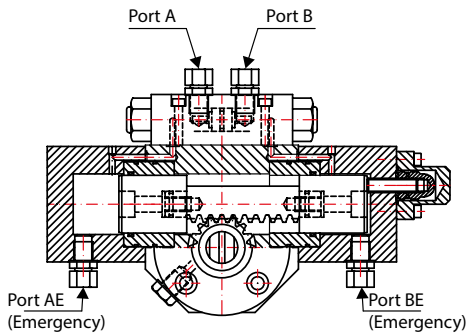


### Proval hydraulic actuators main specifications

- Easy maintenance and repair
- High reliability due to basic construction
- Adjustable closed position
- Approved for marine used

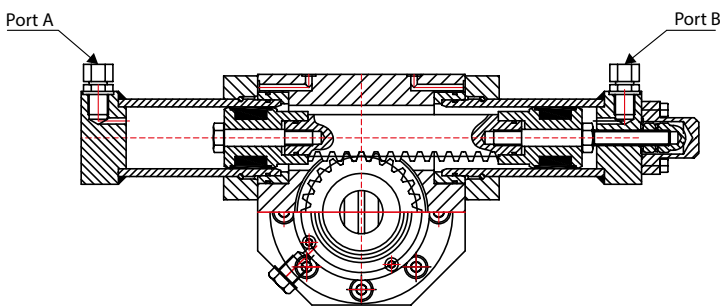


Stainless Steel Hydraulic Actuator



### Technical Specifications

Working Type	Double / Single Acting
Design Type	Rack-Pinion
Work. Pressure	Standard 100 bar
Travel Angle	± 2° adjustable 90°
Assembly Type	Any Position
Emergency Op.	Couplings for hand pump
Accessories	Position switches Hydrolock



### Dimensions(mm)

Model	K	L	M	N	O	F	Max. G			Torque Value
							PS	DS	FH	
A300PC0090	92	115	60	46	110	F05-F07	14	14	14	90 Nm
A300PC0225	121	158	71	47	130	F05-F07	17	17	17	225 Nm
A300PC0410	182	220	90	60	170	F07-F10	24	24	22	410 Nm
A300PC0640	182	220	90	60	170	F10-F12	24	24	22	640 Nm
A300PC0920	182	225	100	60	170	F12-F14	30	30	27	920 Nm
A300PC02170	220	275	115	90	195	F14-F16	40	40	40	2170 Nm
A300PC04950	290	340	150	115	230	F16-F25	60	60	60	4950 Nm