

S101 Series Direct Acting General Purpose Solenoid Valves

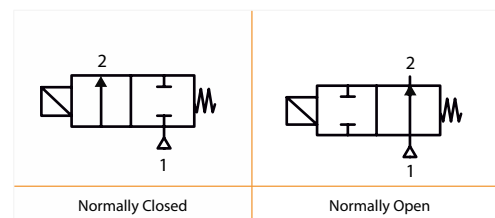
S101 Series general purpose solenoid valves are direct acting type, developed for filtered water, low viscosity oils etc non-corrosive liquids as well as pressurised air, inert gas etc non-corrosive gas flow control applications.



Technical Specifications

Available Sizes	: G1/8" and G1/4"	<ul style="list-style-type: none"> • Light Weight & Compact design • Low Pressure Loss • No Differential Pressure • 360° Rotatable Coil • Fast Opening and Closing • Long Life Cycle • Suitable AC and DC Voltage • Low Pressure Loss • Various flow rate options, wide range of pressure ratings, wide range of orifice options
Thread Type	: G (BSPP / ISO 228-1)	
Pressure Range	: 0 - 16 Bar	
Switching Function	: Normally Closed (N.C) / Normally Open (N.O)	
Principle of Operation	: Direct Operated	
Operating Type	: 2/2	
Opening Time	: 25 ms (Open/Close)	
Max Viscosity	: 38 cST or mm ² /s	

Function



Material List

Part Name	Material
Body	Brass
Plunger	St. Steel AISI430FR
Plunger Seal	NBR
Spring	St. Steel AISI302
Enclosure Tube	AISI430FR & Brass
Shading Ring	Copper
O-Rings	NBR

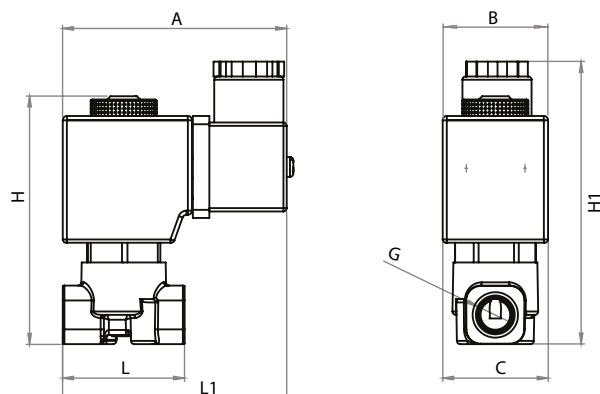
Diaphragm Materials and Working Temperatures

TYPE	Min W.T.	Max W.T.
NBR	-10°C	+80°C
EPDM	-10°C	+130°C
VITON	-10°C	+160°C
PTFE	-10°C	+180°C

S101/S102/S103/S104/S105 Coil Power Details

Coil Code	Power Consumption		
	Voltage	Inrush (VA)	Holding (VA)
S101CA	12V DC	30	18
S101CB	24V DC	30	18
S101CC	48V DC	30	18
S101CD	110V DC	30	18
S101CE	12V AC	16	12
S101CF	24V AC	16	12
S101CG	48V AC	16	12
S101CH	110V AC	16	12
S101CI	230V AC	16	12

Dimensions



Dimensions (mm)

Size (G)	L	L1	H	H1	A	B	C
1/8"	37	68	75	85	68	32	32
1/4"	37	68	75	85	68	32	32

Dimensions (mm)

Size (G)	Orifice Diameter (mm)	Position	Flow Capacity		Working Pressure (bar)		Working Temperature (°C)		Diaphragm*	Weight (Kg)
			Lt/min	m ³ /hour	Min	Max	Min.	Max.		
1/8"	1,8	NK	1,7	0,1	0	16	0	16	NBR	0,3
1/8"	2,5	NK	3,3	0,19	0	12	0	12	NBR	0,3
1/8"	3	NK	4,5	0,27	0	10	0	9	NBR	0,3
1/8"	4	NK	6,5	0,39	0	9	0	7	NBR	0,3
1/8"	5	NK	9,5	0,57	0	7	0	6	NBR	0,3
1/8"	6	NK	11,5	0,69	0	5	0	4	NBR	0,3
1/4"	1,8	NK	1,7	0,1	0	16	0	16	NBR	0,28
1/4"	2,5	NK	3,3	0,19	0	12	0	12	NBR	0,28
1/4"	3	NK	4,5	0,27	0	10	0	9	NBR	0,28
1/4"	4	NK	6,5	0,39	0	9	0	7	NBR	0,28
1/4"	5	NK	9,5	0,57	0	7	0	6	NBR	0,28
1/4"	6	NK	11,5	0,69	0	5	0	4	NBR	0,28
1/8"	1,8	NA	1,7	0,1	0	12	0	10	NBR	0,35
1/8"	2,5	NA	3,3	0,19	0	10	0	9	NBR	0,35
1/4"	1,8	NA	1,7	0,1	0	12	0	10	NBR	0,32
1/4"	2,5	NA	3,3	0,19	0	10	0	9	NBR	0,32

* Please, consult the sales department for alternative diaphragm materials.