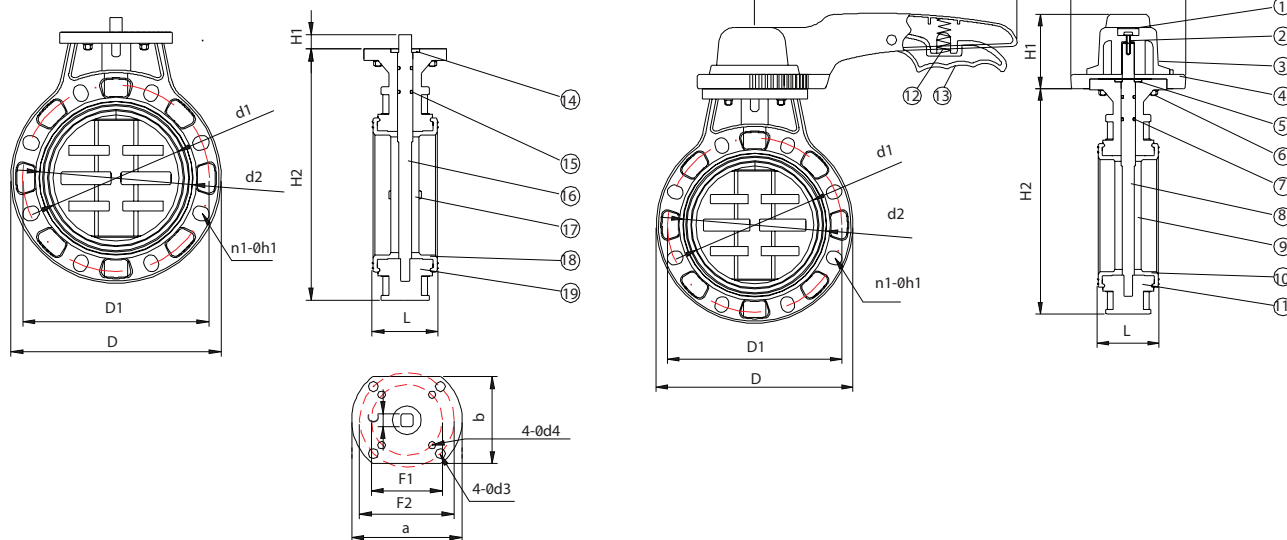


## V115R Series U-PVC Butterfly Valves

V115R Series U-PVC Butterfly Valves are manufactured with body materials reinforced with special antioxidants and UV stabilizers, making them suitable for a wide range of chemical fluids. Designed to withstand a maximum pressure of 10 bar, these U-PVC butterfly valves are used in potable water lines, seawater systems, swimming pools, and general industrial facilities.

U-PVC butterfly valves are manufactured with manual levers, gearboxes, pneumatic or electric actuators according to process requirements.



### Material List

No	Part Name	Qty	Material	No	Part Name	Qty	Material
1	End Cape	1	ABS	11	Body	1	PVC-U / PVC-C
2	Bolt	1	Steel	12	Spring	1	Steel
3	Lever	1	ABS	13	Lever	1	ABS
4	Adjustment Plate	1	ABS	14	Stoper	1	ABS
5	Stoper	1	ABS	15	O-Ring	1-2	EPDM / VITON
6	Bolt & Nut	2	SS304	16	Stem	1	SS304
7	O-Ring	1-2	EPDM / VITON	17	Disc	1	PVC-U / PVC-C
8	Stem	1	SS304	18	Seat	1	EPDM / VITON
9	Disc	1	PVC-U / PVC-C	19	Body	1	PVC-U / PVC-C
10	Seat	1	EPDM / VITON				



Pneumatic Actuated U-PVC Butterfly Valve



Electric Actuated U-PVC Butterfly Valve

### Dimensions(mm)

Size		DIN PN10																	Weight (kg)		
DN	Inch	d1	d2	D	D1	n1	Øh1	H1	H2	L	a	b	F1	F3	d3	d4	C	A	B	Free Shaft	Lever Op.
50	2"	53	86	160	125	4	19	70	190	44	100	80	50	70	8	6	11*11	245	116	1,20	1,70
65	2-1/2"	68	101	180	145	4	19	70	205	46	100	80	50	70	8	6	11*11	245	116	1,40	1,90
80	3"	80	110	195	160	8	19	70	227	57	120	100	70	102	10	8	11*11	245	116	1,90	2,30
100	4"	102	136	225	180	8	18	75	260	63	120	100	70	102	10	8	14*14	325	142	2,60	3,20
125	5"	125	160	255	210	8	23	75	285	68	120	100	70	102	10	8	14*14	360	142	4,00	4,60
150	6"	150	190	280	240	8	23	75	330	72	120	100	70	102	10	8	14*14	360	160	4,80	5,40
200	8"	200	240	340	295	8	23	75	375	82	120	100	70	102	10	8	14*14	360	160	7,60	8,50

For larger sizes and different material specifications, please contact our sales department.



Flange-Collar Set U-PVC Butterfly Valve