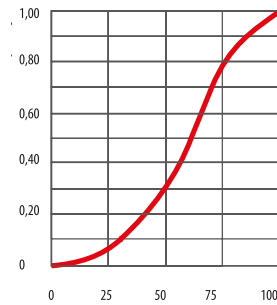
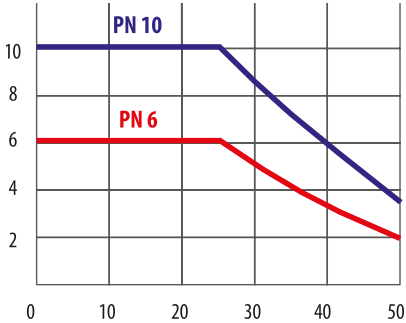
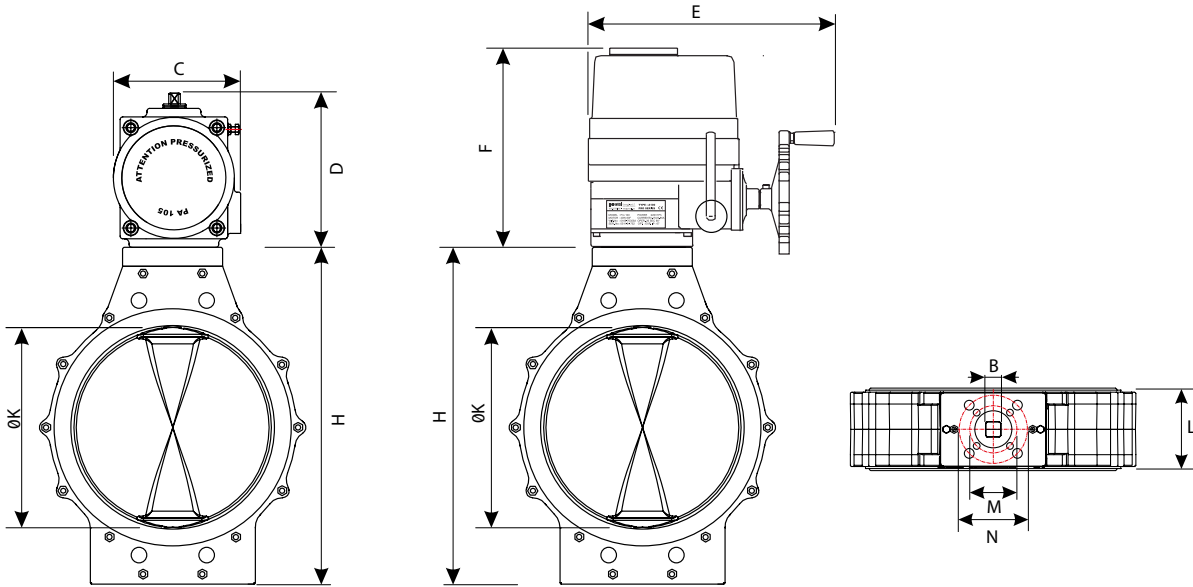




V115 Series U-PVC / PPRC Butterfly Valves

- Available in sizes from DN50 to 300.
- Designed to be sandwiched between flanges.
- Body and disc made of UV resistant powder added U-PVC / PPRC.
- Light weight and highly resistant to a broad variety of chemicals and abrasion.
- Top plate is drilled to fit ISO5211 and standardized to allow direct mounting of pneumatic and electric actuators.
- Mainly used in potable water, sea water and general industrial applications.
- Maximum allowable working pressure 10 bar.



Pneumatically Actuated
U-PVC Butterfly Valve

Dimensions(mm)

Size (DN)	Size (D)	B	ISO 5211 Flange M/N	L	H	ØK	Elect. Act. Model	C	D	Elect. Act. Model	E	F	Torque (Nm)	Kv (m ³ /h)	Weight (Kg)
50	63	11	F05 / F07	42	211	65	52 DA	72	92	PRO 030	125	145	12	110	1
65	75	11	F05 / F07	42	211	65	52 DA	72	92	PRO 030	125	145	18	110	1
80	90	11	F05 / F07	42	235	80	63 DA	83	108	PRO 050	125	145	20	245	1.25
100	110	14	F05 / F07	48	258	100	75 DA	95	120	PRO 080	125	150	30	390	2
125	125-140	14	F05 / F07	60	290	125	75 DA	95	120	PRO 080	125	150	50	690	3
150	160	14	F07 / F10	68	331	150	83 DA	100	130	PRO 100	130	211	60	995	5
200	200-225	14	F07 / F10	82	403	200	92 DA	108	140	PRO 200	338	259	80	2100	9.25
250	250-280	22	F07 / F10	94	457	250	105 DA	122	153	PRO 300	338	259	160	3195	13.75
300	315	22	F07 / F10	106	512	300	125 DA	142	175	PRO 300	338	259	290	5100	21