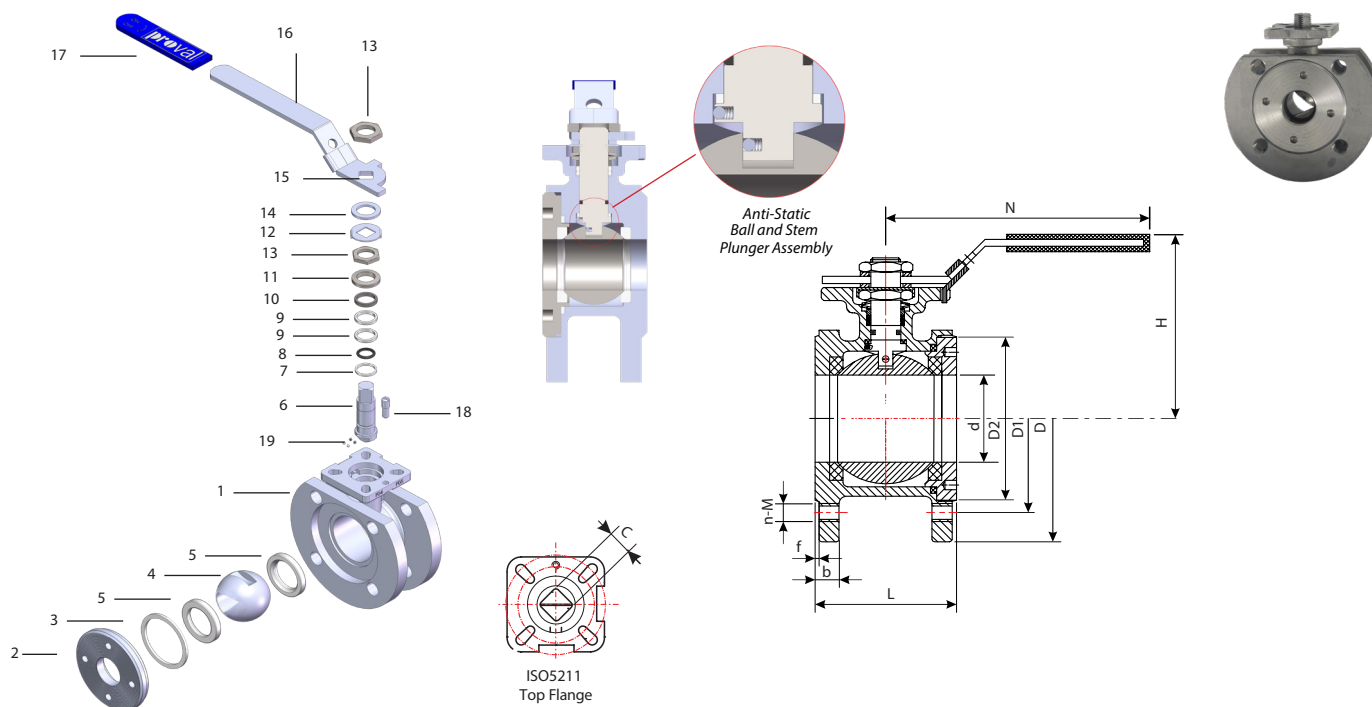


V205-V Series Wafer (Monoblock Flanged) V Port Control Ball Valves

V205-V Series ball valves with V-slot ball with 30 ° or 60 ° options are an ideal proportional flow control valves with 50% stainless steel reinforced PTFE seats and pneumatic or electric actuator control. The V205-V series ball valves with anti-static structures are ATEX approved and are suitable for use in hazardous and explosive environments. The compact design valve body with quarter turn control actuators provide reliable and cost-effective proportional control of liquids and gases.



Material List

No	Part Name	Material (AISI316)	Material (A216WCB)	Qty	No	Part Name	Material (AISI316)	Material (A216WCB)	Qty	No	Part Name	Material (AISI316)	Material (A216WCB)	Qty
1	Body	AISI316	WCB	1	8	Stem Seal	Viton	Viton	1	15	Locking Plate	AISI304	AISI304	1
2	Insert	AISI316	WCB	1	9	Packing	PTFE	PTFE	1	16	Handle	AISI304	AISI304	1
3	Body Seal	PTFE	PTFE	1	10	Gland	AISI304	AISI304	1	17	Handle Sleeve	Plastic	Plastic	1
4	Ball	AISI316	AISI316	1	11	Belleville Washer	AISI301	AISI301	2	18	Stop Pin	AISI304	AISI304	1
5	Ball Seat	Glass Fiber Reinforced PTFE Graphite Reinforced PTFE		2	12	Locking Washer	AISI304	AISI304	1	19	Anti-Static Device	AISI316	AISI316	2
6	Stem	AISI316	AISI316	1	13	Gland Nut	AISI304	AISI304	2					
7	Thrust Washer	PTFE	PTFE	1	14	Washer	AISI304	AISI304	2					

Dimensions (mm)

Size (DN)	d	L	D	PN16		PN40		#150		b	f	H	L1	C	ISO5211 Top Flange	Torque (N.m)	Weight (Kg)
				D1	n-M	D1	n-M	D1	n-M								
15	15	36	95	65	4-M12	65	4-M12	60,3	4-1/2"UNC	12	2	70	115	9	F03	5	1,11
20	20	38	105	75	4-M12	75	4-M12	69,8	4-1/2"UNC	12	2	78	115	9	F03	8	1,48
25	25	50	115	85	4-M12	85	4-M12	79,4	4-1/2"UNC	12	2	90	160	11	F04/F05	10	1,95
32	32	53	140	100	4-M16	100	4-M16	88,9	4-1/2"UNC	14	2	100	160	11	F04/F05	14	3,10
40	40	65	150	110	4-M16	110	4-M16	98,4	4-1/2"UNC	15	3	105	200	14	F05/F07	18	4,18
50	50	78	165	125	4-M16	125	4-M16	120,6	4-5/8"UNC	16	3	125	200	14	F05/F07	25	5,37
65	65	98	185	145	4-M16	145	8-M16	139,7	4-5/8"UNC	16	3	140	155	17	F07/F10	48	8,18
80	76	118	200	160	8-M16	160	8-M16	152,4	4-5/8"UNC	18	3	145	255	17	F07/F10	75	11,92
100	94	140	220	180	8-M16	190	8-M20	190,5	8-5/8"UNC	18	3	175	300	17	F07/F10	110	16,92
125	125	195	250	210	8-M16	220	8-M24	215,9	8-3/4"UNC	22	3	228	300	22	F10/F12	200	27,5
150	150	225	285	240	8-M20	250	8-M24	241,3	8-3/4"UNC	22	3	246	300	22	F10/F12	300	36,5
200	200	275	340	295	12-M20	320	12-M27	298,4	8-3/4"UNC	24	3	310	400	27	F12/F14	400	68



V205-V Series Valves Kv Figures

Size	V Ball	Kv(m3/Hour) Flow Capacity According to Opening Angle*									
		10%	20%	30%	40%	50%	60%	70%	80%	90%	100%
1/2"	30°	0	0	0,08	0,24	0,51	0,87	1,26	1,85	2,44	3,29
	60°	0	0	0,12	0,39	0,83	1,33	2,16	3,27	4,68	7,18
3/4"	30°	0	0,01	0,18	0,48	0,97	1,75	2,61	3,66	4,83	6,2
	60°	0	0,01	0,27	0,76	1,55	2,63	4,13	6,27	9,13	13,69
1"	30°	0	0,13	0,47	1	1,75	2,67	3,86	5,58	6,55	9,25
	60°	0	0,15	0,64	1,51	2,72	4,42	6,55	9,54	13,54	20,45
1-1/4"	30°	0	0,25	0,78	1,65	2,87	4,41	6,25	7,94	10,53	13,75
	60°	0	0,31	1,16	2,54	4,55	7,12	10,42	15,32	20,31	31,8
1-1/2"	30°	0	0,32	0,95	2,15	3,42	5,79	8,65	11,12	14,58	20,05
	60°	0	0,56	1,71	3,82	6,91	10,85	15,23	21,94	30,5	45,38
2"	30°	0	0,62	2,07	4,21	6,94	10,29	14,51	19,28	24,9	31,65
	60°	0	0,89	3,25	6,47	10,91	16,69	24,68	31,55	49,61	68,44
2-1/2"	30°	0	1,68	3,88	7,8	12,4	19,6	26,71	38,31	49,81	61,72
	60°	0	1,57	5,01	11,62	17,7	27,2	41,21	62,84	83,71	117,2
3"	30°	0	1,5	3,9	9,45	15,2	23,3	33,4	45,21	62,71	81,22
	60°	0	1,15	10,5	12,31	21,52	42,12	64	87,3	105,9	148,1
4"	30°	0	3,1	8,3	15,2	27,2	41,8	56,7	78,5	102,5	124,8
	60°	0	5,1	11,9	19,2	40,3	63,2	92,5	135,9	189,9	258,6

(* According to Δp 1 bar



V Port Valve with pneumatic actuator

