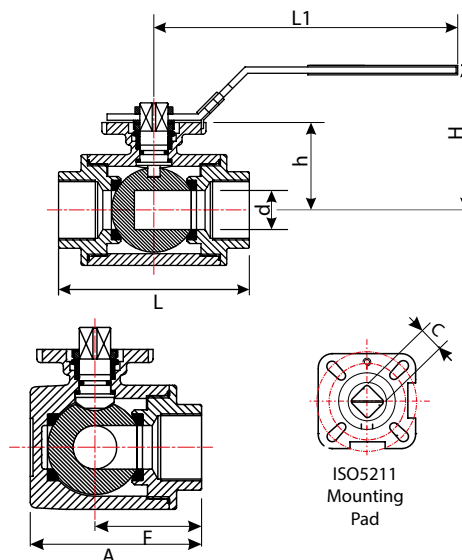
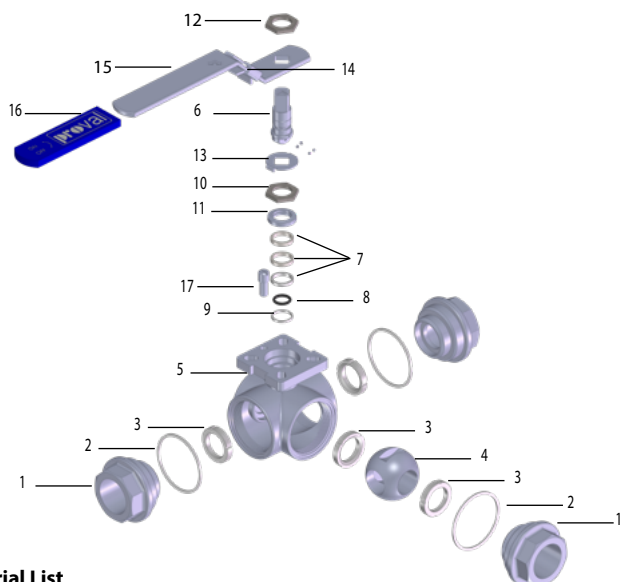


## V207 L and V208 T Port ISO5211 Direct Mount Threaded Ball Valves

- Available in sizes ranging from DN8 to DN100 with either "L"-V207 or "T"-V208 ported configurations.
- Dual Pattern ISO5211 pad allows direct mounting of pneumatic and electric actuators.
- Offer reliable and cost effective automated flow control solutions with an anti static design eliminating the possibility of static discharge.
- Pressure Rating PN63.



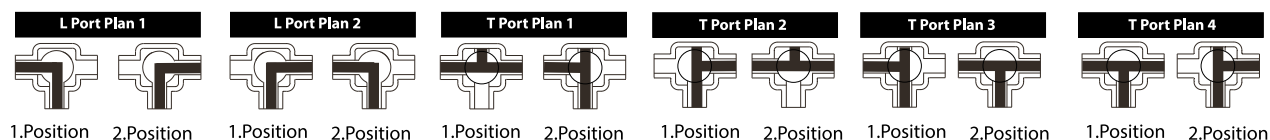
ISO5211 Mounting Pad



### Material List

No	Part Name	Material	Qty	No	Part Name	Material	Qty	No	Part Name	Material	Qty
1	Cap	AISI316	3	7	V-Ring	PTFE	1	13	Locking Washer	AISI304	1
2	Body Seal	PTFE	3	8	Stem O-Ring	Viton	1	14	Locking Plate	AISI304	1
3	Ball Seat	Glass Fiber Reinforced PTFE Graphite Reinforced PTFE	4	9	Thrust Washer	PTFE	1	15	Handle	AISI116	1
4	Ball	AISI316	1	10	Gland Nut	AISI316	1	16	Handle Sleeve	Vinyl	1
5	Body	AISI316	2	11	Belleville Washer	AISI301	1	17	Stop Pin	AISI304	1
6	Stem	AISI316	1	12	Handle Nut	AISI304	1				

### L / T Port Flow Plan Options



### Dimensions(mm)

Size (DN)	d	L	H	h	L1	F	A	C	ISO5211 Top Flange	Torque (Nm)	Kv (m <sup>3</sup> /h)	Weight (Kg)
1/4"	9,5	75	66	43	130	37,5	57,5	9	F03/F04	8	2,29	0,70
3/8"	11	75	66	43	130	37,5	57,5	9	F03/F04	8	3,86	0,67
1/2"	12	75	66	48	130	37,5	57,5	9	F03/F04	8	4,75	0,73
3/4"	15	85	72	53	161	42,5	65,5	11	F04/F05	9	5,11	0,94
1"	20	100	77	58,5	161	50	79	11	F04/F05	15	11,8	1,38
1-1/4"	25	122	92	71	203	61	97	14	F05/F07	20	19,6	2,89
1-1/2"	32	131	96	76,5	203	65,5	106,5	14	F05/F07	30	33,2	3,60
2"	40	158	107	85	203	79	129	14	F05/F07	45	53,7	6,21
2-1/2"	49	178	185	100	254	89	145	17	F07/F10	50	92,5	8,72
3"	69	202	147	112,5	254	101	167	17	F07/F10	80	131	12,81
4"	75	246	169	125,5	310	123	205	17	F07/F10	110	202	21,60



Pneumatically Actuated  
3 Way Ball Valve