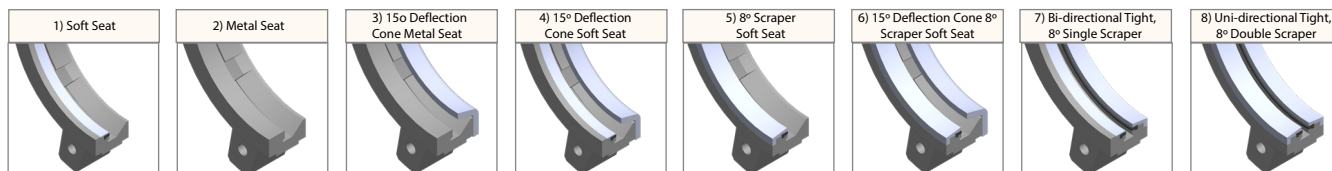
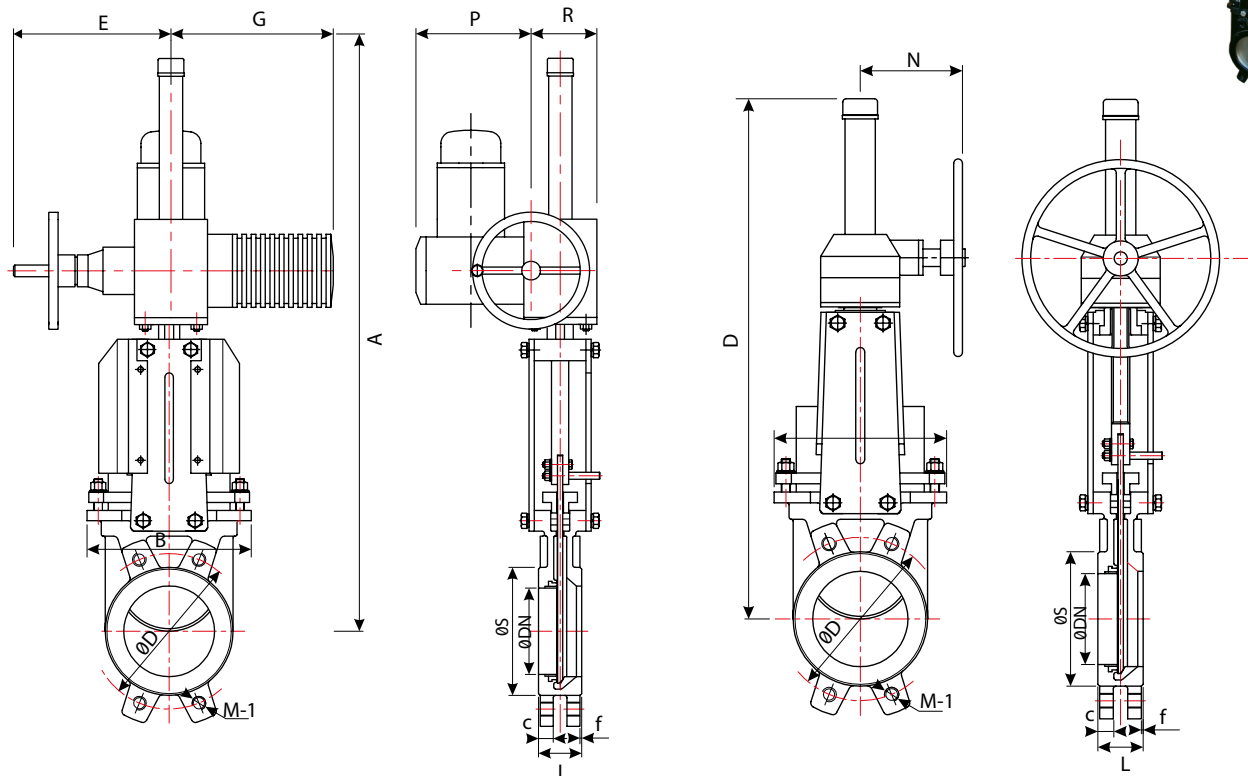


V301 (Wafer) / V302 (Lug) Type Electric Actuated and Gearbox Operated Knife Gate Valves

- Available in sizes ranging from DN50 to DN600 with either Wafer or Lug body configurations.
- Ideally suited to be used in lines containing fibrous particles and liquids with suspended solids.
- Main application areas are pulp&paper industry, wastewater treatment plants and under silo.
- Bonnetted versions are available for vacuum and pneumatic conveying systems.



Dimensions(mm)

Size (DN)	L	ØD	ØS	C	f	B	A	D	E	G	P	R	N	Max Operating Pressure	Wafer Type PN10			Lug Type PN10	
															M	☐	○	M	☐
50	40	125	95	16	2	136	587	947	234	265	197	102	320	10 bar	M16	4	-	M16	4
65	40	145	110	16	2	151	614	947	234	265	197	102	320	10 bar	M16	4	-	M16	4
80	50	160	127	17	2	170	640	947	234	265	197	102	320	10 bar	M16	4	4	M16	8
100	50	180	148	17	2	190	680	947	234	265	197	102	320	10 bar	M16	4	4	M16	8
125	50	210	174	17	2	212	713	947	234	265	197	102	320	10 bar	M16	4	4	M16	8
150	60	240	199	21	2	230	765	947	234	265	197	102	320	10 bar	M20	4	4	M20	8
200	60	295	250	21	2	286	880	947	234	265	197	102	320	8 bar	M20	4	4	M20	8
250	70	350	308	24	2	338	981	1048	234	265	197	102	320	6 bar	M20	8	4	M20	12
300	70	400	360	24	2	388	1141	1148	234	265	197	102	320	6 bar	M20	8	4	M20	12
350	96	460	416	33	2	460	1374	1390	256	282	197	115	320	5 bar	M20	12	4	M20	16
400	100	515	466	35	2	520	1550	1495	256	282	197	115	320	5 bar	M24	12	4	M24	16
450	106	565	518	36	2	580	1847	1783	325	385	222	153	320	3 bar	M24	16	4	M24	20
500	110	620	572	37	2	620	1959	1890	325	385	222	153	320	3 bar	M24	16	4	M24	20
600	110	725	664	37	2	720	2165	2095	325	385	222	153	320	3 bar	M27	16	4	M27	20

* Please contact sales department for valves in larger sizes or non-standard configurations