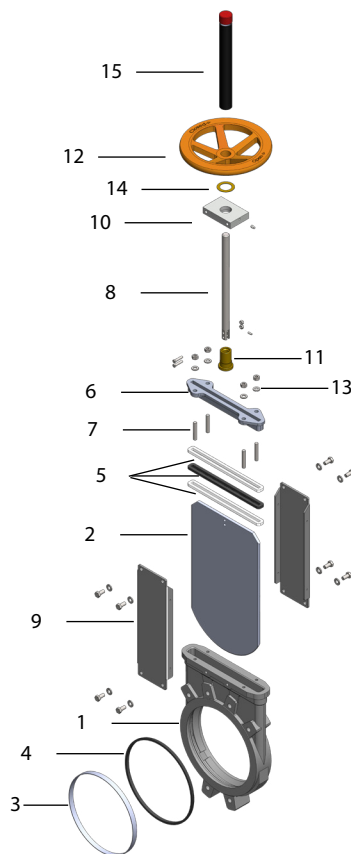
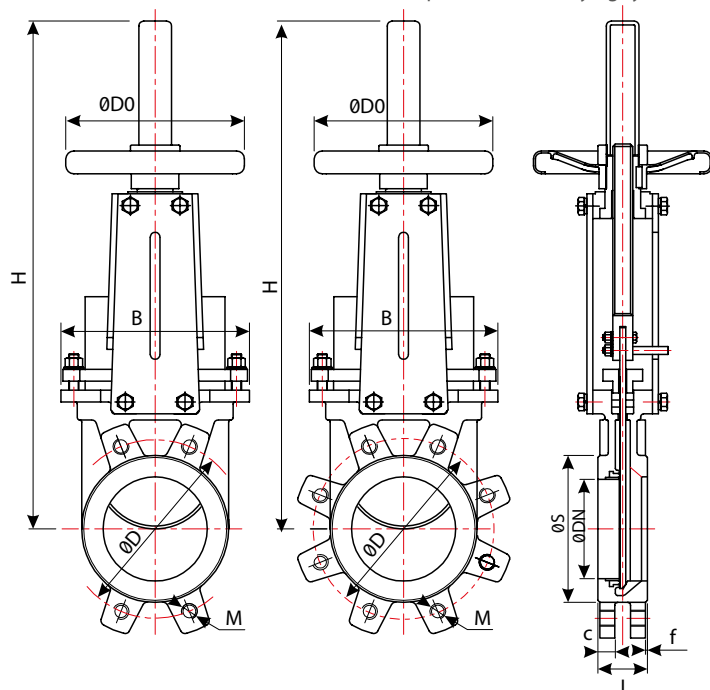
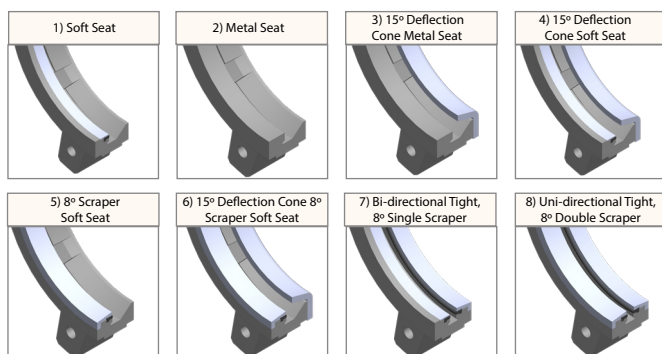


V301 (Wafer) / V302 (Lug) Type Manual Knife Gate Valves

- Available in sizes ranging from DN50 to DN600 with either Wafer or Lug body configurations.
- Ideally suited to be used in lines containing fibrous particles and liquids with suspended solids.
- Main application areas are pulp&paper industry, wastewater treatment plants and under silo.
- Bonnetted versions are available for vacuum and pneumatic conveying systems.



No	Part Name	Material
1	Body	GG25
		GGG40
		WCB
		SS304
		SS316
2	Gate	SS304
		SS316
3	Retaining Ring	304 / 316
4	Seat	EPDM
		Viton
		NBR
		Metal
5	Packing	PTFE+Silicone
6	Packing Gland	GGG40 / SS316
7	Setscrew	SS 304
8	Stem	SS420 / SS316
9	Yoke	ASTM A36
10	Steel Block	ASTM A105
11	Stem Nut	ASTM B62
12	Handwheel	ASTM A126
13	Nut	ASTM A193 B8
14	Washer	ASTM B62
15	Stem Cover	ASTM A36



Dimensions(mm)

Size (DN)	L	ØD	ØS	C	f	B	H	ØDo	Max Operating Pressure	Wafer Type PN10			Lug Type PN10		Net Unit Weight (kg)	
										M	⊕	○	M	⊕	Wafer	Lug
50	40	125	95	16	2	136	375	180	10 bar	M16	4	-	M16	4	7,0	7,0
65	40	145	110	16	2	151	420	180	10 bar	M16	4	-	M16	4	8,0	8,0
80	50	160	127	17	2	170	450	200	10 bar	M16	4	4	M16	8	11,0	14,0
100	50	180	148	17	2	190	512	200	10 bar	M16	4	4	M16	8	12,0	14,0
125	50	210	174	17	2	212	570	220	10 bar	M16	4	4	M16	8	15,0	17,0
150	60	240	199	21	2	230	665	250	10 bar	M20	4	4	M20	8	21,0	24,0
200	60	295	250	21	2	286	825	300	8 bar	M20	4	4	M20	8	29,0	32,0
250	70	350	308	24	2	338	1000	350	6 bar	M20	8	4	M20	12	46,0	50,0
300	70	400	360	24	2	388	1155	350	6 bar	M20	8	4	M20	12	66,0	72,0
350	96	460	416	33	2	460	1310	400	5 bar	M20	12	4	M20	16	92,0	99,0
400	100	515	466	35	2	520	1475	500	5 bar	M24	12	4	M24	16	125,0	133,0
450	106	565	518	36	2	580	1660	500	3 bar	M24	16	4	M24	20	180,0	189,0
500	110	620	572	37	2	620	1860	600	3 bar	M24	16	4	M24	20	233,0	243,0
600	110	725	664	37	2	720	2150	700	3 bar	M27	16	4	M27	20	320,0	334,0

* Please contact sales department for valves in larger sizes or non-standard configurations.

