

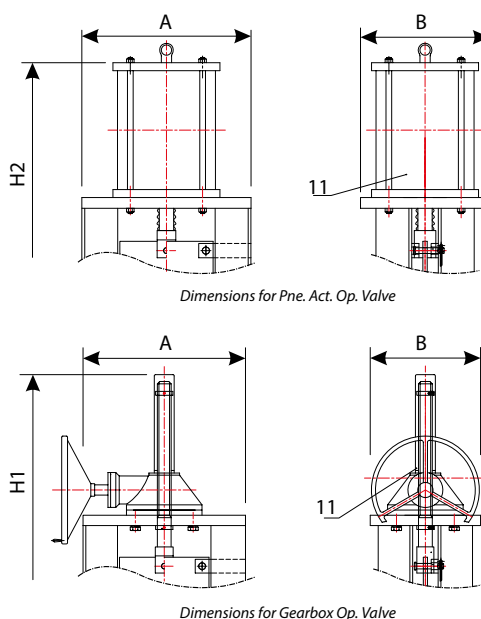
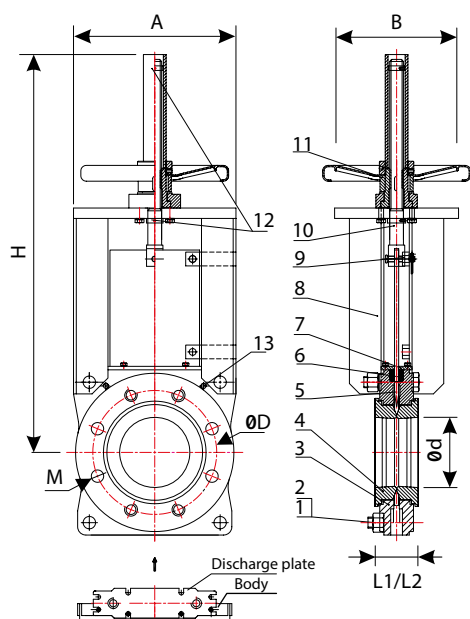
## V305 Series Slurry Knife Gate Valves

V305 series slurry knife gate valves are designed specifically for heavy duty conditions in the mining industry. 2 steel ring reinforced elastomer ring insulates the inner part of the valve from the fluid, this provides bi-directional sealing for particle-containing fluid transfer and prevents the abrasion. The knife comes out of the elastomer ring in the full open position of the valve and prevents the contact with the fluid. The fluid can be drained from the discharge line which is located under the valve against the possibility of the fluid moving behind the elastomer rings and solidification during opening-closing or the surface can be washed or cleaned with pressurized air. V305 series valves can be operated with pneumatic, electric or hydraulic actuator or gearbox.



### Applications

- Mining Plants
- Metallurgy and Casting Industries
- Power Plant
- Chemistry Industry
- Paper Pulp Plants



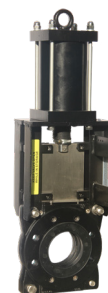
### Material List

No	Part Name	Material
1	Bolt	ASTM A193 B8
2	Nut	ASTM A194 8
3	Body	GGG40
		WCB
4	Elastomer seat	AISI316
		NR
		EPDM
5	Gate	NBR
		Viton
6	Packing Gland	AISI316
7	Packing	EPDM
8	Packing Gland	AISI 1045
9	Support Plate	AISI1035
10	Pin	ASTM A276 410
11	Operator	ASTM A82 F304
		Handwheel
		Gearbox
		Pne. Actuator
12	Limit stop	Elc. Actuator
13	Lubricating whole	AISI 1035+Ni

### Dimensions(mm)

Size (DN)	Ød	L1	L2	A	B	H	H1	H2	ØD	Max Operating Pressure	Wafer PN10 Flange			Wafer #150 Flange		
											M	☉	○	M	☉	○
50	51	57,5	54	160	106	350		415	125	10 bar	M16	4	-	5/8"	4	-
65	64	57,5	54	160	106	410		475	145	10 bar	M16	4	-	5/8"	4	-
80	76	62	57	200	140	496		523	160	10 bar	M16	4	4	5/8"	4	-
100	102	62	58	236	140	578		596	180	10 bar	M16	4	4	5/8"	4	4
125	127	65	59	250	180	639		680	210	10 bar	M16	4	4	3/4"	4	4
150	154	70	65	284	180	787		761	240	10 bar	M20	4	4	3/4"	4	4
200	204	83	77	345	220	883		895	295	10 bar	M20	4	4	3/4"	4	4
250	254	84	78	420	280		1057	1062	350	10 bar	M20	8	4	7/8"	8	4
300	296	89	83	483	335		1265	1291	400	10 bar	M20	8	4	7/8"	8	4
350	344	91	84	430	430		1388	1426	460	10 bar	M20	12	4	1"	8	4
400	400	100	92	430	430		1613	1620	515	10 bar	M24	12	4	1"	12	4
450	450	106	103	500	500		1824	1826	565	6 bar	M24	16	4	1-1/8"	12	4
500	492	131	121	500	500		1933	1939	620	6 bar	M24	16	4	1-1/8"	16	4
600	592	132	121	500	500		2184	2222	725	6 bar	M27	16	4	1-1/4"	16	4
700	685	190	181	500	500			2420	840	4 bar	M27	20	4	1-1/4"	24	4
800	780	218	206	500	500			2650	950	4 bar	M30	20	4	1-1/2"	24	4

L1 : Min. distance between the flanges for mounting. L2 : Mounted valve face to face length.



Pneumatically Actuated Slurry Knife Gate Valve