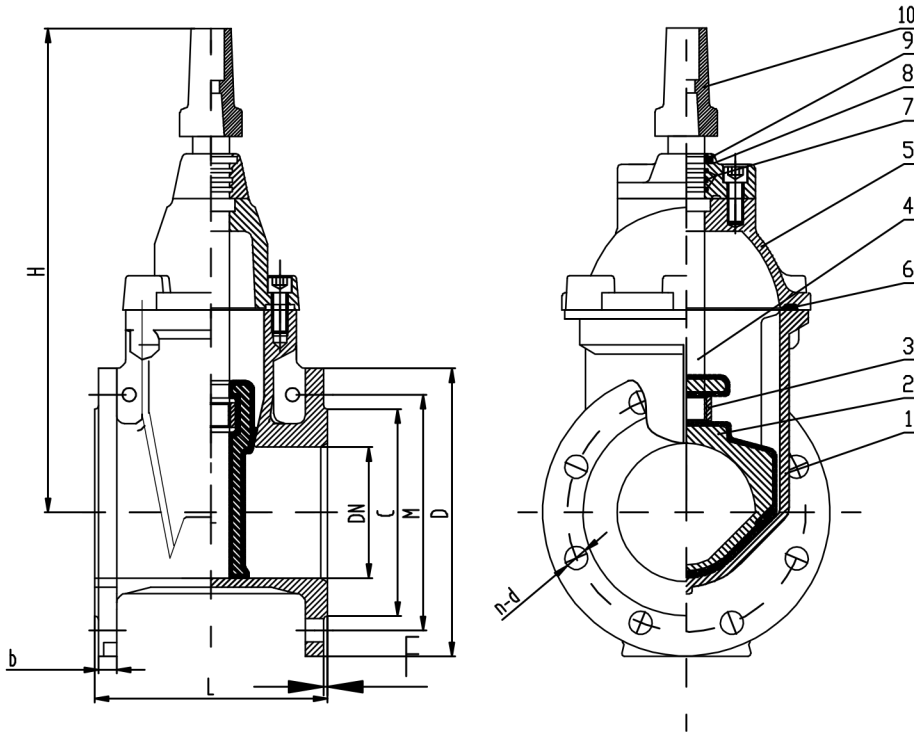


## V360 Series EN558 Series 14 / BS5163 Rubber Wedge Gate Valve



### Material List

No	Name	Material	No	Name	Material
1	Body	GGG40/50	6	Gasket	EPDM
2	Wedge	GGG40/50+EPDM	7	O-Ring	EPDM
3	Stem Nut	Brass	8	Gland	Brass
4	Stem	2Cr13	9	Dust Cap	EPDM
5	Bonnet	GGG40/50	10	Stem Cap	GGG40/40

### Dimensions(mm)

Size (DN)	L		H	C	M	D	b	f	n-d
	EN558 S.14	BS5163							
50	150	178	270	99	125	165	19	3	4-19
65	170	190	283	122	145	185	19	3	4-19
80	180	203	311	132	160	200	19	3	8-19
100	190	229	352	156	180	220	19	3	8-19
125	200	254	435	111	220	250	19	3	8-19
150	210	267	485	211	240	285	H	3	8-23
200	230	2'2	520	266	295	340	20	3	8-23
250	250	330	632	31'	350	400	22	3	12-23
300	270	356	745	370	400	455	24.5	4	12-23
350	290	381	835	429	460	520	22.5	4	16-23
400	310	406	953	480	515	580	24	4	16-28
450	330	432	1061	530	565	580	26	4	20-28
500	350	457	1188	582	620	715	27.5	4	20-28
600	390	508	1380	682	725	840	31	5	20-31



Optional with bypass