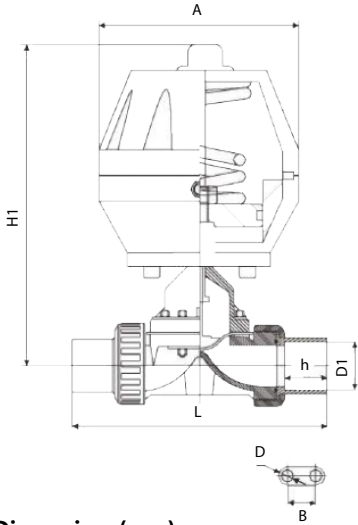




V405 Series Pneumatic U-PVC True Union Diaphragm Valves



Material List

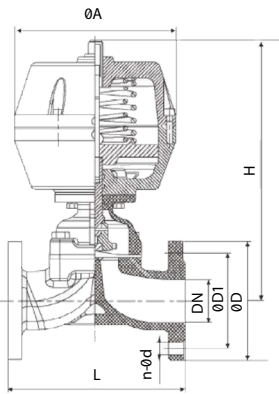
No	Part Name	Material
1	Body	UPVC / PPH / PVDF
2	Bonnet	UPVC / PPH / PVDF
3	Diaphragm	EPDM
4	Disc	NILO
5	Cover	UPVC
6	Stem	2Cr13
7	Stem nut	HPb59-1
8	Cylinder	Aluminium Alloy
9	Cap	Plastic



Dimensions(mm)

NPS (in)	DN (mm)	PN (bar)	L	D1	A	H	D	B	W (kg)
1/2	15	0.6	145	20	110	195	8	25	2
3/4	20	0.6	160	25	110	200	8	25	2.3
1	25	0.6	175	32	110	210	8	25	2.5
1 1/4	32	0.6	200	40	110	228	8	36	3
1 1/2	40	0.6	225	50	140	240	10	36	5
2	50	0.6	272	63	170	290	10	45	8

V405 Series Pneumatic U-PVC Flanged Diaphragm Valves



Material List

No	Part Name	Material
1	Body	UPVC / PPH / PVDF
2	Bonnet	UPVC / PPH / PVDF
3	Diaphragm	DN15-DN100 EPDM
		DN15-DN200 PTFE+EPDM
4	Disc	UPVC
5	Cylinder	Aluminum Alloy
6	Piston	Aluminum Alloy
7	Stem	Stainless Steel 304/34



Optional PVDF - PPH Body

Dimensions(mm)

DN	L	D	D1		n	Ød	A	H	(KG)
			EN1092 PN10	ANSI #150					
15	125	95	65	60	4	14	110	215	2
20	135	105	75	70	4	14	110	220	2.3
25	145	115	85	80	4	14	110	225	2.5
32	150	135			4	18	140	240	3
40	180	145	110	100	4	18	170	285	5
50	210	160	125	120	4	18	170	307	8
65	250	180	145	140	4	18	200	327	13
80	300	195	160	152	8	18	230	390	16
100	350	215	180	190	8	18	260	470	24
125	400	245	210	216	8	18	310	637	30
150	480	280	240	240	8	23	370		