

V405 Series U-PVC Diaphragm Valves

V405 Series U-PVC Diaphragm valves can be used as on-off or flow-regulating valves in industrial treatment process waters and chemical fluid lines.

Diaphragm valves, which are resistant to corrosive and particulate fluids, have a wide usage area in the industry. Valves with U-PVC bodies and EPDM diaphragms are an ideal process control element with lightweight structures in fluids where they are resistant to chemical corrosion.

Alternative body and diaphragm materials allow a wider usage area for diaphragm valves even in aggressive fluids applications.



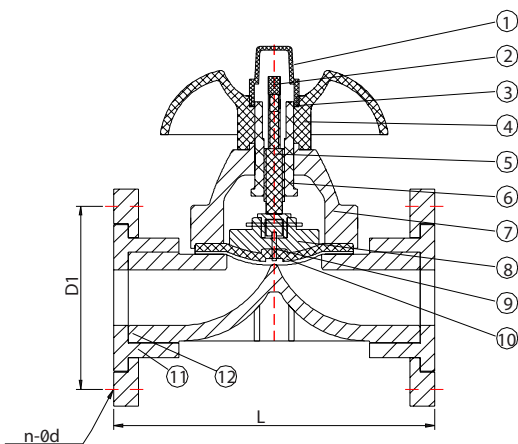
Flanged End U-PVC Diaphragm Valves (PN10 / ANSI CL150)

Material List

No	Part Name	Qty	Available Materials
1	Cap	1	AS
2	Indicator	1	ABS
3	O-ring	1	EPDM / FKM
4	Handwell	1	PPG
5	Stem	1	ABS
6	Sleeve	1	PPG
7	Bonnet	1	PPG
8	Disc	1	PPG
9	Screw	1	SS304
10	Diaphragm	1	EPDM / FKM / PTFE+EPDM
11	Flange	1	U-PVC / C-PVC / PP / PVDF
12	Body	1	U-PVC / C-PVC / PP / PVDF

Dimensions(mm)

Size		D1	L	n - ød
DN	Inch			
DN15	1/2"	65	112	4-14
DN20	3/4"	75	120	4-14
DN25	1"	85	140	4-14
DN32	1-1/4"	100	147	4-18
DN40	1-1/2"	110	197	4-18
DN50	2"	125	205	4-18
DN65	2-1/2"	145	285	4-18
DN80	3"	160	310	8-18
DN100	4"	180	366	8-18
DN125	5"	210	400	8-18



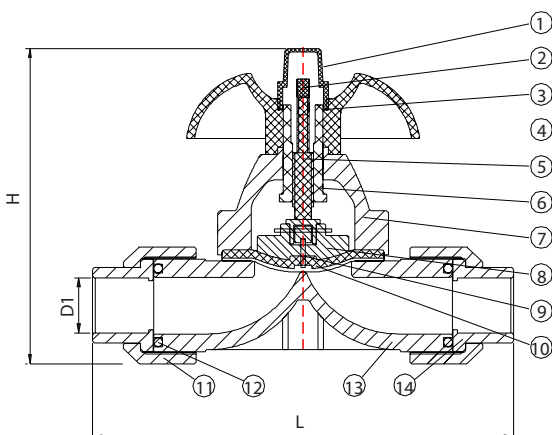
Socket End U-PVC Diaphragm Valves (PN10)

Material List

No	Part Name	Qty	Available Materials
1	Cap	1	AS
2	Indicator	1	ABS
3	O Ring	1	EPDM / FKM
4	Handwheel	1	PPG
5	Stem	1	ABS
6	Sleeve	1	PPG
7	Bonnet	1	PPG
8	Disc	1	PPG
9	Screw	1	SS304
10	Diaphragm	1	EPDM / FKM / PTFE+EPDM
11	Union	2	U-PVC / C-PVC / PP / PVDF
12	O-Ring	2	EPDM / FKM
13	Body	1	U-PVC / C-PVC / PP / PVDF
14	Coupling	2	U-PVC / C-PVC / PP / PVDF

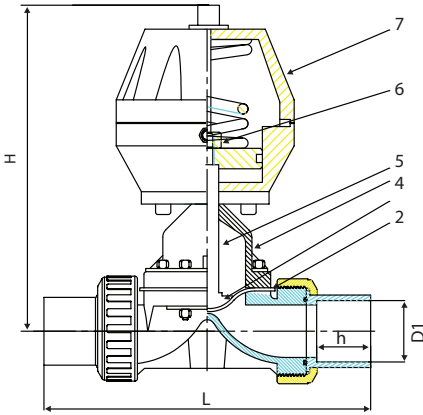
Dimensions(mm)

Size		D1	L	H
DN	Inch			
DN15	1/2"	20	140	120
DN20	3/4"	25	144	125
DN25	1"	32	175	170
DN32	1-1/4"	40	183	174
DN40	1-1/2"	50	245	220
DN50	2"	63	260	230





V405 Series Pneumatic U-PVC True Union Diaphragm Valves



Material List

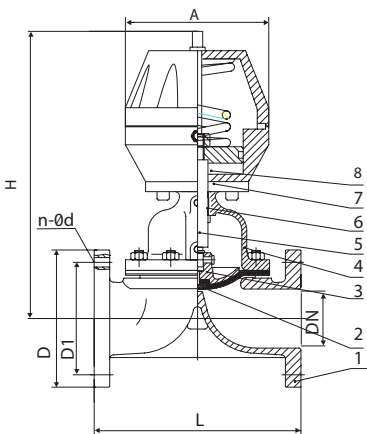
No	Part Name	Material
1	Body	UPVC / PPH / PVDF
2	Diaphragm	EPDM / Viton / PTFE
3	Compressor	pp
4	Bonnet	UPVC / PPH / PVDF
5	Stem	2Cr13
6	Stem Nut	Stainless Steel 304
7	Cylinder	Aluminum Alloy

Dimensions(mm)

DN	PN	L	D1	h	H	W (kg)
15	0.6	155	20	17	200	2
20	0.6	165	25	24	205	2.3
25	0.6	173	32	28	210	2.5
32	0.6	248	40	89	210	3
40	0.6	257	50	35	230	5
50	0.6	292	63	39	255	8



V405 Series Pneumatic U-PVC Flanged Diaphragm Valves



Material List

No	Part Name	Material
1	Body	UPVC / PPH / PVDF
2	Diaphragm	EPDM
3	Disc	GGG40
4	Bonnet	UPVC / PPH / PVDF / WCB
5	Stem	2Cr13
6	Stem Nut	Stainless Steel 304
7	Cylinder	Aluminum Alloy
8	Cap	Stainless Steel 304

Dimensions(mm)

DN	PN	L	D	D1	n-0d	H	A	W (kg)
15	1.0	125	95	65	4-14	215	110	2
20	1.0	135	105	75	4-14	220	110	2.3
25	1.0	145	115	85	4-14	225	110	2.5
32	1.0	150	135	100	4-18	240	140	3
40	1.0	180	145	110	4-18	285	170	5
50	1.0	210	160	125	4-18	307	170	8
65	1.0	250	180	145	4-18	327	200	13
80	1.0	300	195	160	8-18	390	230	16
100	1.0	350	215	180	8-18	470	260	24



Optional PVDF - PPH Body