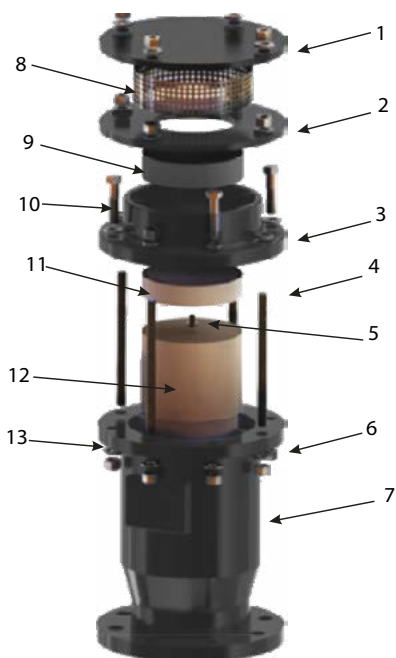


V665 Non Slam Dynamic Air Release Valves

V665 Series Non-slam, dynamic type air release valves are a combination air valve with features of both air vacuum and air release valve.

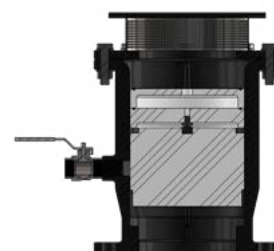
V665 series valve is discharging the air reservoir that may occur during operation in pipelines or storage tanks as well as functioning as a vacuum valve during emptying the pipeline or water tanks due to maintenance or other failure circumstances.

The self-adjusted air flow function in non-slam dynamic air release valves is preventing the water hammer effect in pipelines.



Material List

No.	Part Name	Material
1	Top Cover	ST-37
2	Cover	ST-37
3	Top Body	GGG40
4	Stud Bolt	8.8 Stainless Steel
5	Valve	Stainless Steel
6	Nut	8.8 Stainless Steel
7	Body	GGG40
8	Perforated Metal	Stainless Steel
9	3 rd Float	HDPE
10	Screw	8.8 Stainless Steel
11	2 nd Float	HDPE
12	1 st Float	HDPE
13	Washer	Stainless Steel



Optional with discharge ball valve



Optional with discharge ball valve



FULL OPEN

Allows air to be absorbed or discarded at low pressure differentials



NON SLOM CLOSED

High air pumping slows down intake and suction speeds



AIR RELEASE

System air bubbles Away from the system

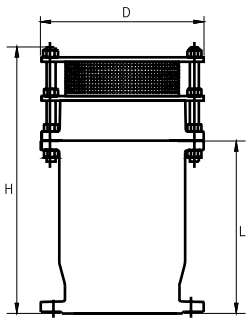


FULL CLOSED

System is sealed Fully closed when running it happens

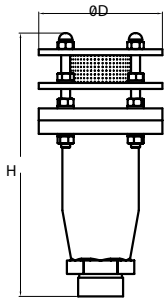


Flanged End Valve Dimensions (mm)



DN		D		L		H		Weight	
inch	mm	inch	mm	inch	mm	inch	mm	lbs	kg
2	50	6,50	165	8,11	206	13,50	343	32,30	14,650
2½	65	6,50	165	8,11	206	13,50	343	33,00	14,950
3	80	7,87	200	9,65	245	15,12	384	47,40	21,500
4	100	8,66	220	10,24	260	15,94	405	57,20	25,950
6	150	11,22	285	12,13	308	18,70	475	100,50	45,600
8	200	13,39	340	11,81	300	17,72	450	132,60	60,150
10	250	17,72	450	17,27	450	22,44	570	271,20	123,000
12	300	20,67	525	21,65	550	27,17	690	436,80	198,150

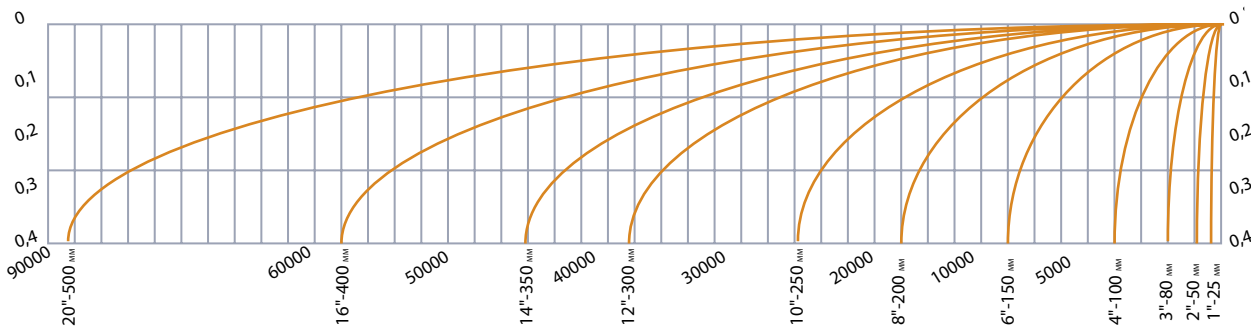
Threaded End Valve Dimensions (mm)



DN		D		H		Weight	
inch	mm	inch	mm	inch	mm	lbs	kg
1"	25	4,50	115	11,00	280	12,10	5,50
1½"	40	6,50	165	13,80	350	28,70	13,00
2"	50	6,50	165	13,80	350	27,60	12,50



Nominal Air Release Capacity Of Non Slam Dynamic Air Release Valve



Nominal Air Suction Capacity Of Non Slam Dynamic Air Release Valve

