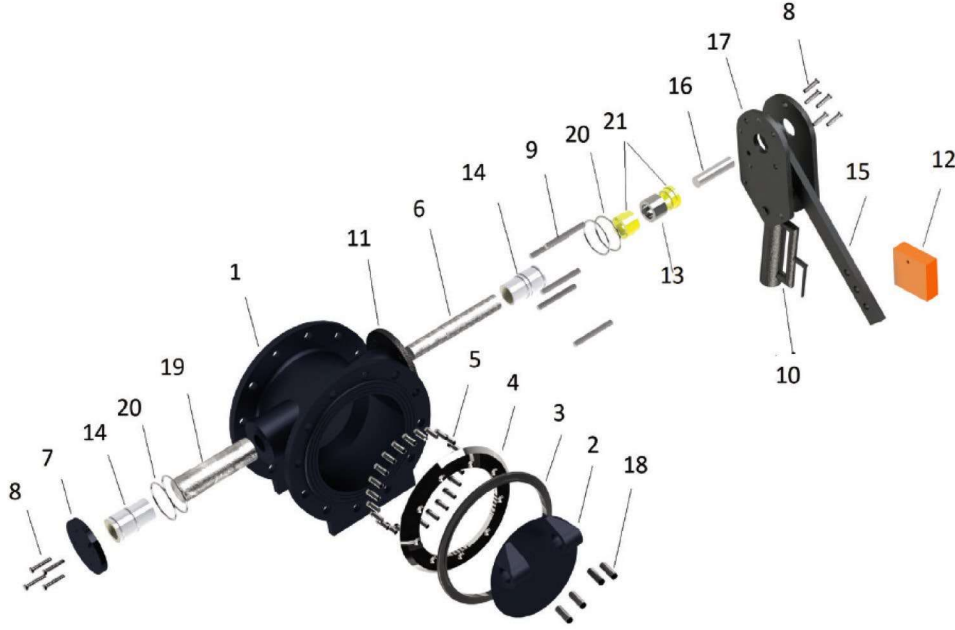


V705 Series Tilting Check Valves With Hydraulic Damper

V705 Series tilting type check valves with hydraulic damping device for entire stroke are minimizing the disc slams and water hammer. Valves are produced in GGG40/50 Ductile iron body and disc with replaceable EPDM sealing ring and stainless steel shaft supported by bronze bearing bush. Body seat is stainless steel welded and microfinished, face to face length acc. to EN558 Series 14.

Application areas, industrial water, drinking water, waste water, irrigation lines and water supply stations.

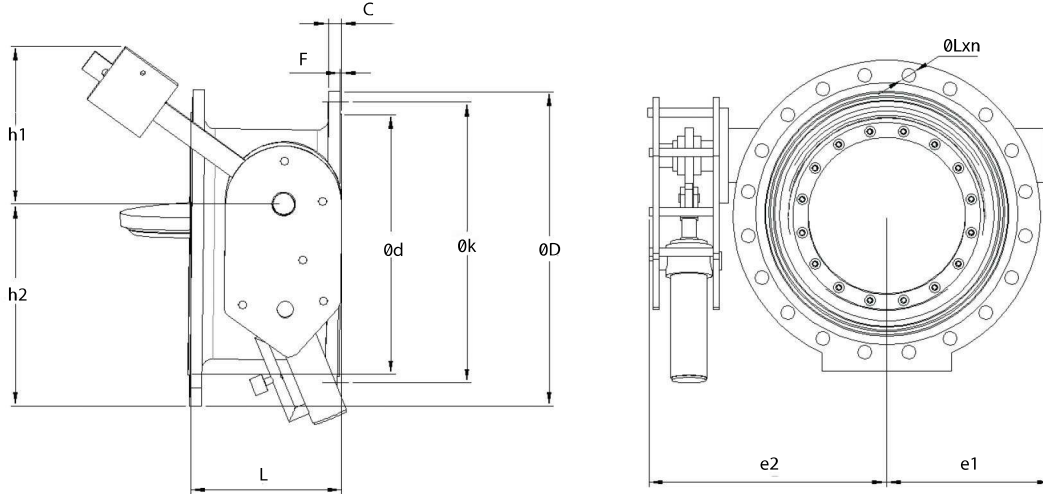


Material List

No	Part Name	Materials
1	Gövde Body	Sfero Döküm GGG50 / Ductile Iron GGG50 EN GJS 500-15
2	Klape / Disc	Sfero Döküm GGG50 / Ductile Iron GGG50 EN GJS 500-15
3	Klepe Contası / Disc Gasket	EPDM / NBR
4	Baskı Çemberi / Retaining Ring	ST37 Steel / SS304 Stainless Steel
5	Baskı Çemberi Civatası / Bolt for Retaining Ring	A2 / A4
6	Uzun Mil / Long Stem	X20Cr13 / SS316L
7	Sızdırmazlık Kapağı / Sealing Cover	Sfero Döküm GGG50 / Ductile Iron GGG50 EN GJS 500-15
8	Kapak Civatası / Bolt for Cover	A2 / A4
9	Gijon / Gijon	SS304 Paslanmaz Çelik / AISI304 Stainless Steel
10	Tahrik Unitesi Lifi / Driven Unite Fiber	Hydraulic Damper (with Cylinder)
11	Flanş / Flange	ST37 Çelik / ST37 Steel
12	Ağırlık / Weight	Sfero Döküm GGG50 / Ductile Iron GGG50 EN GJS 500-15
13	Takoz / Plug	Sfero Döküm GGG50 / Ductile Iron GGG50 EN GJS 500-15
14	Burç / Bearing Bush	RG5 Bronz / Bronze
15	Ağırlık Kolu / Weight Lever	ST37 Çelik / ST37 Steel
16	Mil / Stem	Polyamit / Polyamide
17	Platin / Platinum	ST37 Çelik / ST37 Steel
18	Setskur / Setscrew	304K / A2
19	Kısa Mil / Short Stem	X20Cr13 / SS316L
20	O-Ring / Q-Ring	EPDM
21	Teflon / Teflon	TEFLON



Dimensions



Dimensions(mm)

DN	L	f	PN10				PN10				PN16				PN24				PN40								
			h1	h2	e1	e2	ØD	ØK	Ød	C	ØLxn	ØD	ØK	Ød	C	ØLxn	ØD	ØK	Ød	C	ØLxn	ØD	ØK	Ød	C	ØLxn	
100	190	3	-	-	-	-	220	180	156	19	19x8	220	180	156	19	19x8	235	190	156	19	23x8	235	190	156	19	23x8	
125	200	3	-	-	-	-	250	210	184	19	19x8	250	210	184	19	19x8	270	220	184	19	28x8	270	220	184	23,5	28x8	
150	210	3	277	349	132	265	285	240	211	19	23x8	285	240	211	19	23x8	300	250	211	20	28x8	300	250	211	26	28x8	
200	230	3	298	378	210	358	340	295	266	20	23x8	340	295	266	20	23x12	380	310	274	22	28x12	375	320	284	30	31x12	
250	250	3	289	392	242	374	405	350	319	22	23x12	405	355	319	22	28x12	425	370	330	24,5	28x16	450	385	345	34,5	34x12	
300	270	4	295	384	263	416	460	400	370	24,5	23x12	460	410	370	24,5	28x12	485	430	389	27,5	31x16	515	450	409	39,5	34x16	
350	290	4	326	468	292	469	505	460	429	24,5	23x16	520	470	429	26,5	28x16	555	490	448	30	34x16	580	510	465	44	37x16	
400	310	4	340	454	323	516	565	515	480	24,5	28x16	580	525	480	28	31x16	620	550	503	32	37x16	660	585	535	48	41x16	
450	330	4	336	499	359	552	615	565	530	25,5	28x20	640	585	548	30	31x20	670	600	548	34,5	37x20	685	610	560	49	41x20	
500	350	4	487	507	383	597	670	620	582	28,5	28x20	715	650	609	31,5	34x20	730	660	609	36,5	37x20	755	670	615	52	44x20	
600	390	5	517	642	433	633	780	725	682	30	31x20	840	770	720	36	37x20	845	770	720	42	41x20	890	795	735	58	50x20	
700	430	5	604	809	498	753	895	840	794	32,5	31x24	910	840	794	39,5	37x24	960	875	820	46,5	44x24	995	900	840	64	50x24	
800	470	5	645	914	564	815	1015	950	901	35	34x24	1025	950	901	43	41x24	1085	990	928	51	50x24	1140	1030	960	72	57x24	
900	510	5	708	1033	663	935	1115	1050	1001	37,5	34x28	1125	1050	1001	46,5	41x28	1165	1090	1028	55,5	50x28	1250	1140	1070	80	57x28	
1000	550	5	707	1257	689	1047	1230	1160	1112	40	37x28	1255	1170	1112	50	44x28	1320	1210	1140	60	57x28	1360	1250	1180	95	57x28	
1100	590	5	-	-	-	-	1355	1270	1218	53,5	37x32	1355	1270	1218	53,5	44x32	1420	1310	1240	64,5	57x32	-	-	-	-	-	
1200	630	5	-	-	-	-	1455	1380	1328	45	41x32	1485	1390	1328	57	50x32	1530	1420	1350	69	57x32	1575	1460	1380	95	62x32	
1300	670	5	-	-	-	-	1585	1490	1432	59	42x32	1585	1490	1432	59	50x32	-	-	-	-	-	-	-	-	-	-	-
1400	710	5	-	-	-	-	1675	1590	1530	46	44x36	1685	1590	1530	60	50x36	1755	1640	1560	74	62x36	1795	1680	1600	105	62x36	
1500	750	5	-	-	-	-	1820	1700	1640	47	44x36	1820	1710	1640	62,5	57x36	1865	1750	1678	77,5	62x36	-	-	-	-	-	
1600	790	5	-	-	-	-	1915	1820	1750	49	50x40	1930	1820	1750	65	57x40	1975	1860	1780	81	62x40	2025	1900	1815	120	70x40	
1800	870	5	-	-	-	-	2115	2020	1950	52	50x44	2130	2020	1950	70	57x44	2195	2070	1985	88	70x44	2240	2110	2010	165	70x48	
2000	950	5	-	-	-	-	2325	2230	2150	55	50x48	2345	2230	2150	75	62x48	2425	2300	2210	95	70x48	-	-	-	-	-	
2200	1030	6	-	-	-	-	2555	2440	2370	65	57x52	2555	2440	2370	80	62x52	-	-	-	-	-	-	-	-	-	-	