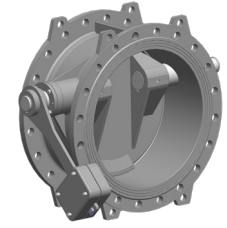


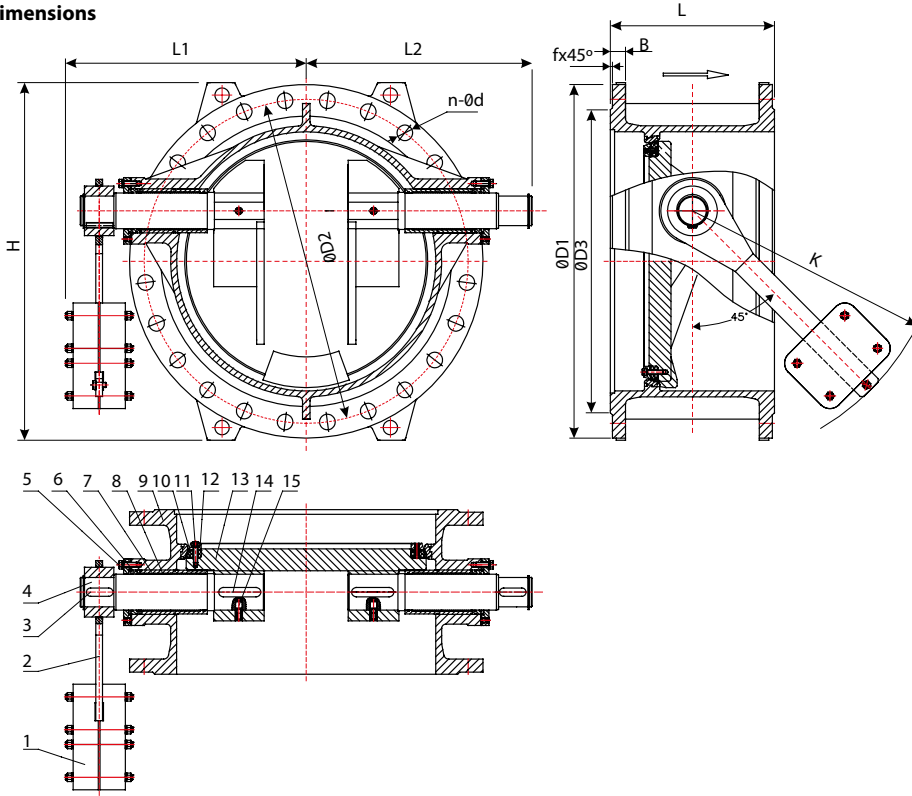


V705 Series Tilting Check Valves

- Available in sizes ranging from DN100 to DN1400 for pressure ratings PN10/PN16/PN25
- Ideally suited to be used as a backflow prevention valve in water/wastewater treatment, marine, pump station and other general industrial applications.
- Designed in accordance with the requirements of EN593.
- Face to face dimensions conform to EN558-1 Basic Series 14.



Dimensions



Material List

No	Part Name	Material
1	Weight	GG25 Cast Iron
2	Weight Lever	Steel
3	Key	AISI420 Stainless Steel
4	Stem	AISI420 Stainless Steel
5	Cover	Steel
6	Retaining Ring	AISI304 Stainless Steel
7	Spacer Bush	AISI304 Stainless Steel
8	Bushing	AISI420 Stainless Steel
9	Body	GGG40/50 Ductile Iron
10	Seal Ring	EPDM
11	Screw	AISI304 Stainless Steel
12	Retaining Ring	Steel / St.Steel
13	Disc	GGG40/50 Ductile Iron
14	Key	AISI420 Stainless Steel
15	Pin	AISI420 Stainless Steel

Dimensions(mm)

Size (DN)	ØD1	ØD2		ØD3		n-Ød		B	L	fx45°	H	K	L1	L2
		PN10	PN16	PN10	PN16	PN10	PN16							
100	220	180	180	211	211	8-18	8-18	19	190	4x38	220	200	200	184
125	250	210	210	211	211	8-18	8-18	19	200	4x39	260	200	223	207
150	285	240	240	211	211	8-23	8-23	19	210	4x40	295	200	245	230
200	340	295	295	266	266	8-23	12-23	20	230	4x41	350	200	268	252
250	405	350	355	319	319	12-23	12-28	22	250	4x42	415	300	331	305
300	460	400	410	370	370	16-23	12-28	24,5	270	4x43	470	300	343	317
350	520	460	470	429	432	16-23	16-28	26,5	290	4x44	530	400	415	382
400	580	515	525	480	480	16-28	16-31	28	310	4x45	590	400	414	389
450	640	565	585	530	548	20-28	20-31	30	330	4x45	650	450	469	444
500	715	620	650	582	609	20-28	20-34	31,5	350	4x45	725	500	521	487
600	840	725	770	682	720	20-31	20-37	36	390	5X45	850	600	572	502
700	910	840	840	794	794	24-31	24-37	39,5	430	5X45	920	700	635	595
800	1025	950	950	901	901	24-34	24-41	43	470	5X45	1035	800	711	680
900	1125	1050	1050	1001	1001	28-34	28-41	46,5	510	5X45	1135	880	963	898
1000	1255	1160	1170	1112	1112	28-37	28-44	50	550	5X45	1265	1000	945	890
1200	1485	1380	1390	1328	1328	32-41	32-50	57	630	5X45	1495	1200	960	938
1400	1685	1590	1590	1530	1530	36-44	36-50	60	710	5X45	1685	1400	1240	1210